



**symphony
offices**

SYMPHONY OFFICES

01 Symphony Offices

02 Location

03 Accessibility

04 Amenities

05 Availability

06 Contact

PRIME OFFICE SPACE AT THE CENTER OF AMSTERDAM ZUIDAS

Symphony Offices is a true landmark, prominently located at one of the most visible locations in the heart of the vibrant business district Amsterdam Zuidas. This high end office building offers excellent hospitality services and contributes to the high-quality appearance of its tenants.

The Dutch Architect Pi de Bruijn (De Architecten Cie) was responsible for the iconic architectural design. The mixture of various functions, which makes the Zuidas a metropolitan quarter, is realized at building level in Symphony.





The total building of Symphony Offices consists of approximately 35,000 sq m office space, divided over a ground floor and 27 upper floors. Symphony Offices offers a business environment of the highest possible level. The many windows guarantee a spectacular view of Amsterdam Zuidas, the city center and the surrounding area.

It is a multifunctional building, with a mixture of public, semi-public, and private functions. The unity of the two tower blocks (Symphony Residence and Symphony Offices) is emphasized in the elevations by means of the choice of material and pattern composition. The façade has brick cladding, which combines the residential with the commercial and has urban allure.

LOCATION

01 Symphony Offices

02 Location

03 Accessibility

04 Amenities

05 Availability

06 Contact

CENTRAL BUSINESS DISTRICT

Amsterdam Zuidas is the prime central business location of The Netherlands and one of the most favourable office locations in Europe. Thanks to its strategic location, the area is attractive to Dutch and international businesses and institutions. The area hosts a wide range of headquarters of companies such as Google, NautaDutilh, Salesforce, Spencer Stuart, Accenture, IMC and Optiver.



VIBRANT HIGH END AREA

The Amsterdam Zuidas is an outstanding location for working, living and recreation in an area with optimum infrastructure. Zuidas has its own NS-trainstation "Amsterdam Zuid" and has two exits from the ring road A10. Symphony is located in the heart of the Amsterdam Zuidas and in the direct vicinity of a wide range of amenities such as restaurants, coffee bars, gyms, shops and supermarkets. Zuidas offers a vibrant high end 24/7 lively area of international allure.



**5 MIN
WALK**

- RESTAURANTS
- BARS
- GYMS
- SHOPS
- COFFEE
- SUPERMARKET
- HOTELS
- RESIDENTIALS
- PUBLIC TRANSPORT HUB

 Hair Science Institute
The specialist in HairStemCell Transplantation
Please feel free to make an appointment for a non binding consultation now!
www.hasci.com
hair science institute
the specialist in hair stem cell transplantation



ACCESSIBILTY

01 Symphony Offices

02 Location

03 Accessibility

04 Amenities

05 Availability

06 Contact

EXCELLENT ACCESSIBILITY

Symphony is located next to the train station Amsterdam Zuid. Schiphol Airport is only a 6 minute train ride away. You can take the train, metro, tram, bus or bike and reach the city centre of Amsterdam in just 5 minutes. The accessibility will even be further optimized following the infrastructural project 'Zuidasdok', which include an expansion of the train station and bringing the A10 highway underground.



BY FOOT

Amsterdam Zuid	2 min
Club Sportive	2 min
Gelderlandplein	10 min



BICYCLE

Vondelpark	10 min
De pijp	11 min
Rijksmuseum	10 min



PUBLIC TRANSPORT

Schiphol	6 min
Amsterdam CS	13 min
Utrecht CS	22 min
Rotterdam CS	38 min



CAR

Schiphol	14 min
Amsterdam CS	21 min
Utrecht	35 min
Rotterdam	45 min



AMENITIES

01 Symphony Offices

02 Location

03 Accessibility

04 Amenities

05 Availability

06 Contact

AMENITIES

- ✓ Symphony Offices offers a 24/7 manned reception / hospitality desk with an appealing ambiance. The lobby is fully renovated in 2020 and transformed into a contemporary, luxurious space with a coffee corner, informal seating & break out area. In addition to the hospitality and security team, there is an onsite building manager who is responsible for the daily operations and the first line of contact with the tenants of the building.
- ✓ Symphony Offices offers a 125 person auditorium at the first floor for larger conferences, presentations or training sessions.





- ✓ There are two restaurants at the ground floor of the building; a company restaurant for the daily lunches of tenant's employees and a à la carte restaurant for business lunches and dinners.
- ✓ Symphony Offices offers the possibility to lease parking subscriptions in the Q-park parking garage underneath the building based on a unique parking ratio of 1:70.



AVAILABILITY

01 Symphony Offices

02 Location

03 Accessibility

04 Amenities

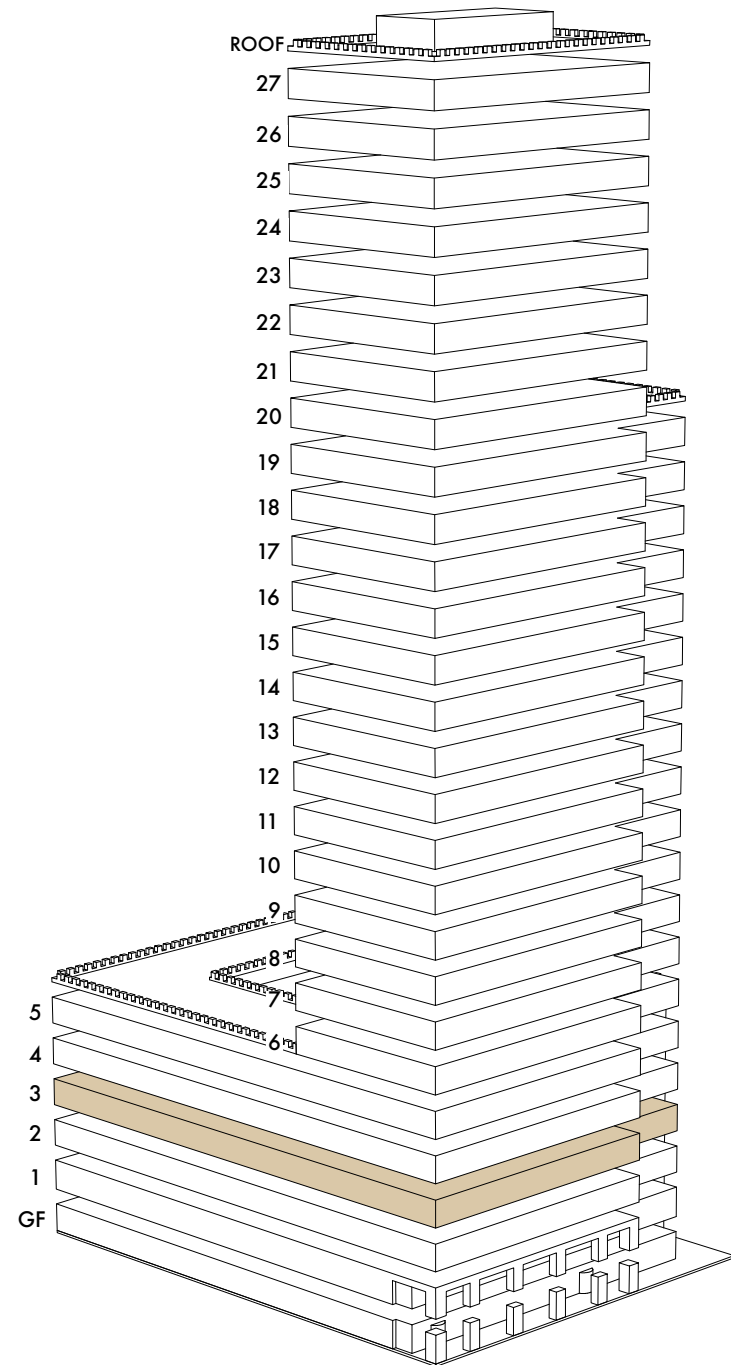
05 Availability

06 Contact

AVAILABLE OFFICE SPACE 3RD FLOOR

Total for rent

2,699 SQ M LFA



TESTFIT "CLOSED"



- workplace in an open space
- workplace in closed office
- focus - quiet room
- meeting room working area
- meeting room meeting center
- lounge / reception / informal meeting / pantry
- office facility / filing / computerroom
- sanitary
- horizontal elevation
- vertical elevation



3RD FLOOR
153 WORKSTATIONS











TESTFIT "OPEN"



- workplace in an open space
- workplace in closed office
- focus - quiet room
- meeting room working area
- meeting room meeting center
- lounge / reception / informal meeting / pantry
- office facility / filing / computerroom
- sanitary
- horizontal elevation
- vertical elevation



3RD FLOOR
190 WORKSTATIONS





AVAILABLE OFFICE SPACE 3RD FLOOR

Total for rent:

2,699 SQ M LFA

* Floor sizes including 4% surcharge common area of the building.

RENTAL PERIOD

Direct lease with landlord DEKA for 10 years (or longer).

AVAILABILITY

Immediately.

RENTAL PRICE

€ 440 per sq m office space per annum, excl. VAT.

SERVICE CHARGES

€ 114 per sq m office space per annum, excl. VAT, incl. contribution for restaurant and auditorium.

PARKING

In the Q-Park parking garage underneath the building based on the parking ratio of 1:70.

DELIVERY LEVEL

The office spaces will be delivered in its current condition, including the current tenant fit out. Privacy sensitive parts will be removed by current tenant(s). An inventory list of the current fit out can be provided upon request, as well as the technical description of the base building delivery level.

CONTACT

CBRE B.V.

Anthony Fokkerweg 15
1059 CM Amsterdam
+31 (0)20 626 26 91

Niels Hanssen
niels.hanssen@cbre.com
+31 (0)6 11616937

Robert Bremen
robert.bremen@cbre.com
+31 (0)6 11151195

NL Real Estate B.V.

Gustav Mahlerplein 64a
1082 MA Amsterdam
+31 (0)20 707 30 00

Juul Klumpes
j.klumpes@nlrealestate.nl
+31 (0)6 29735988

Kas Bedet
k.bedet@nlrealestate.nl
+31 (0)6 48132017

Disclaimer

Although the information in this presentation has been compiled with the greatest care, no rights can be derived from its contents. The published images provide inspiration for a possible delivery, but no guarantees are given for this.